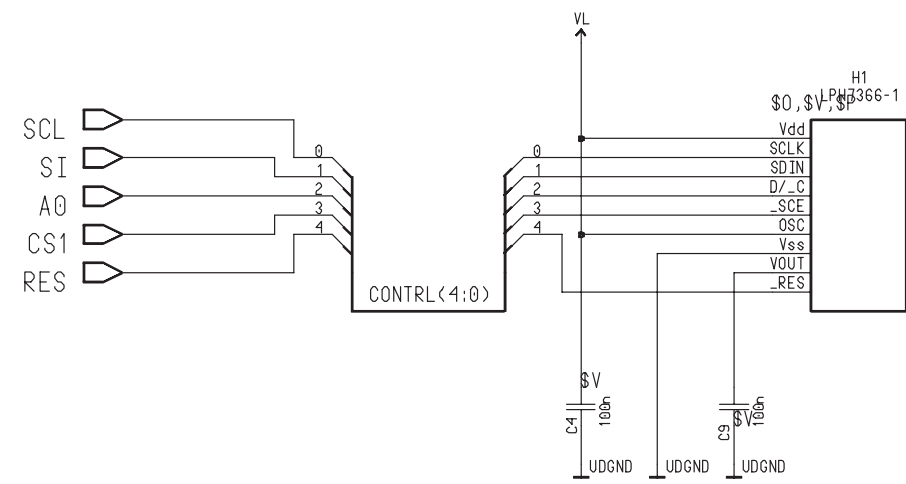
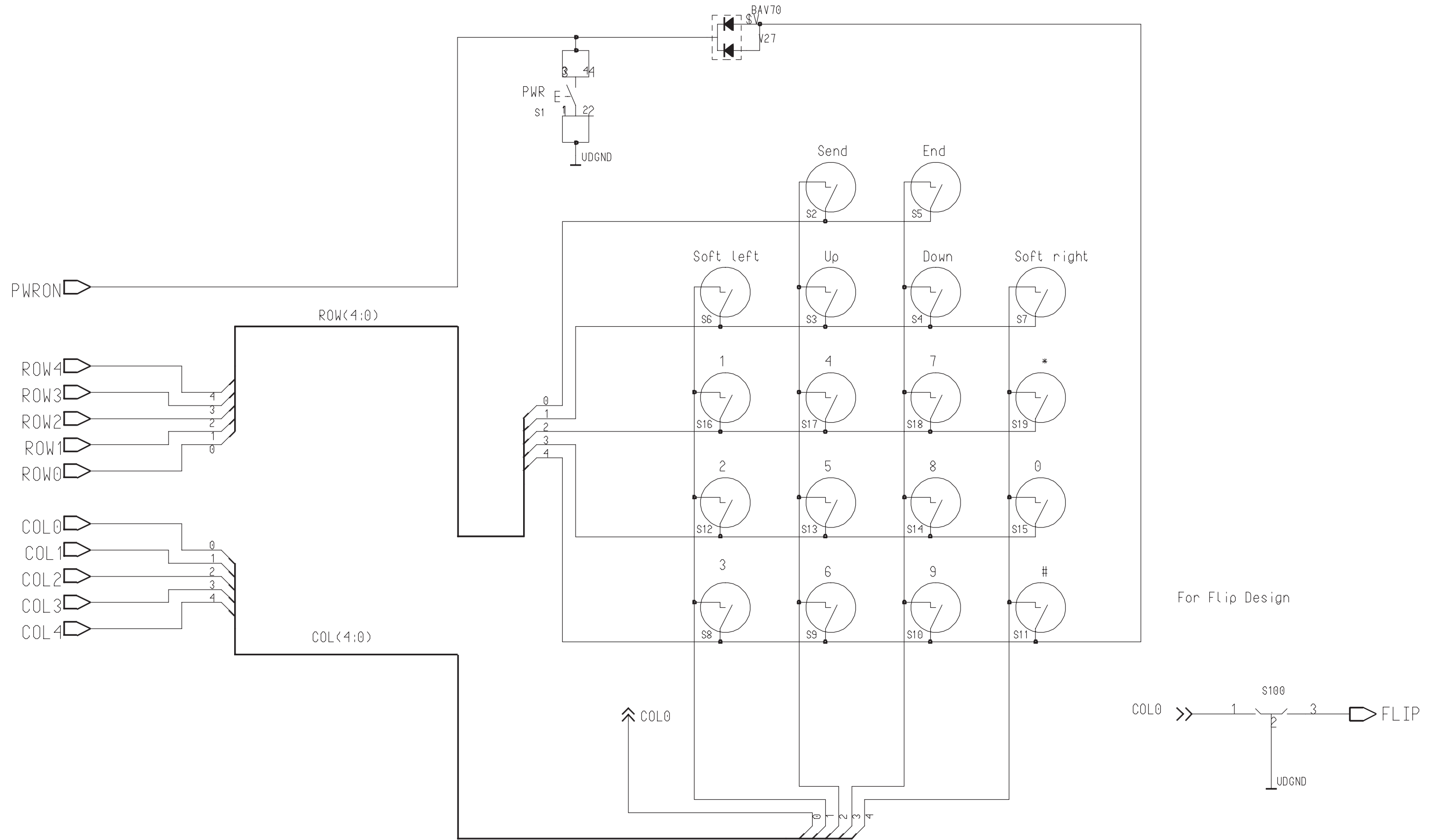
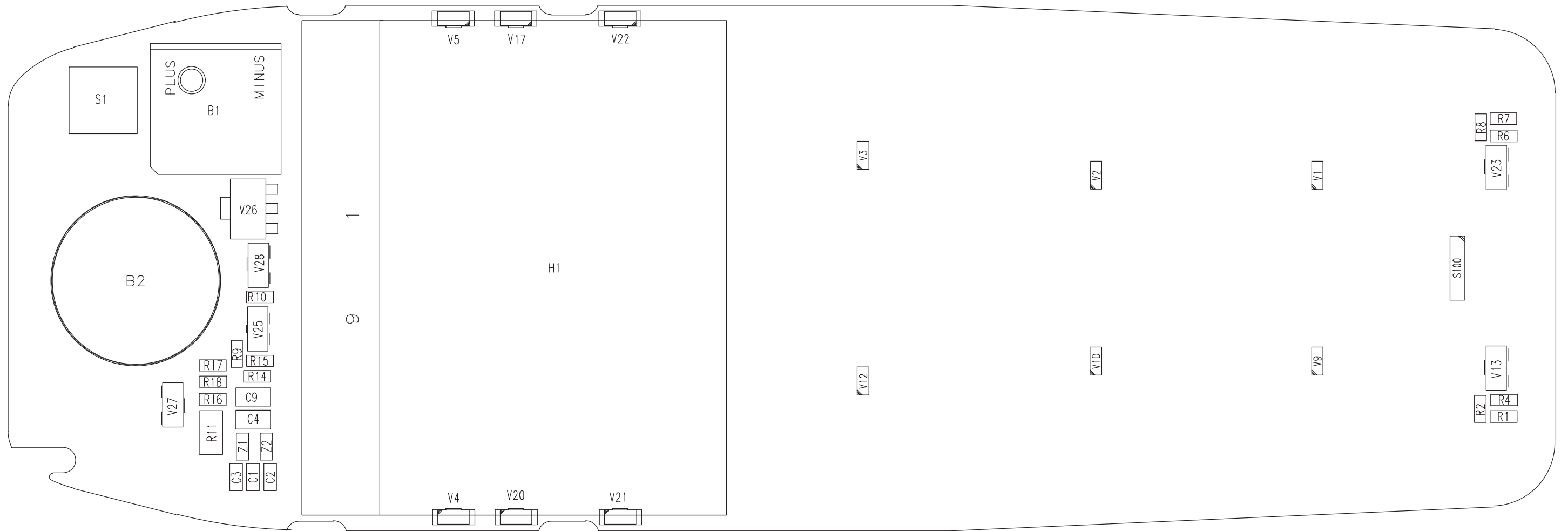


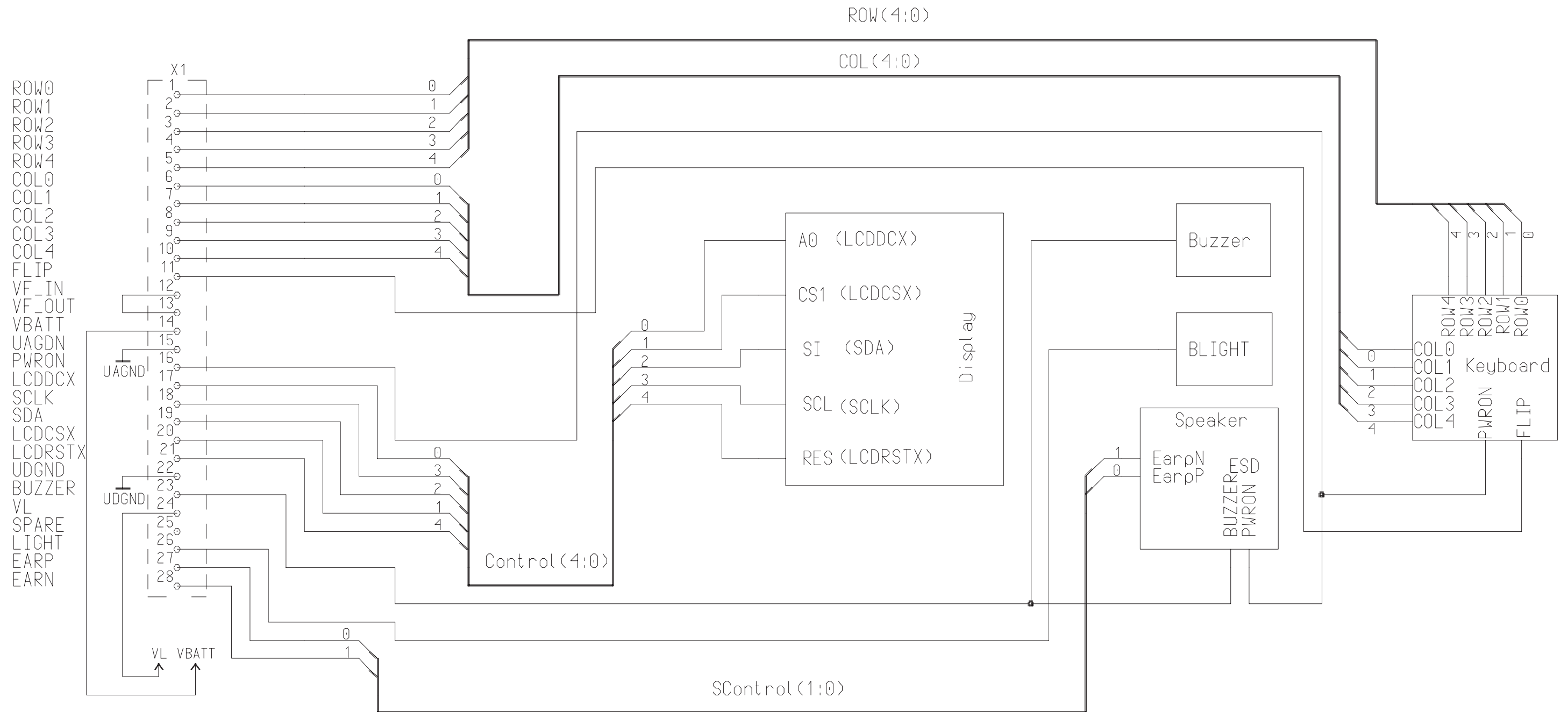
Speaker (Versio 8 Edit 26)



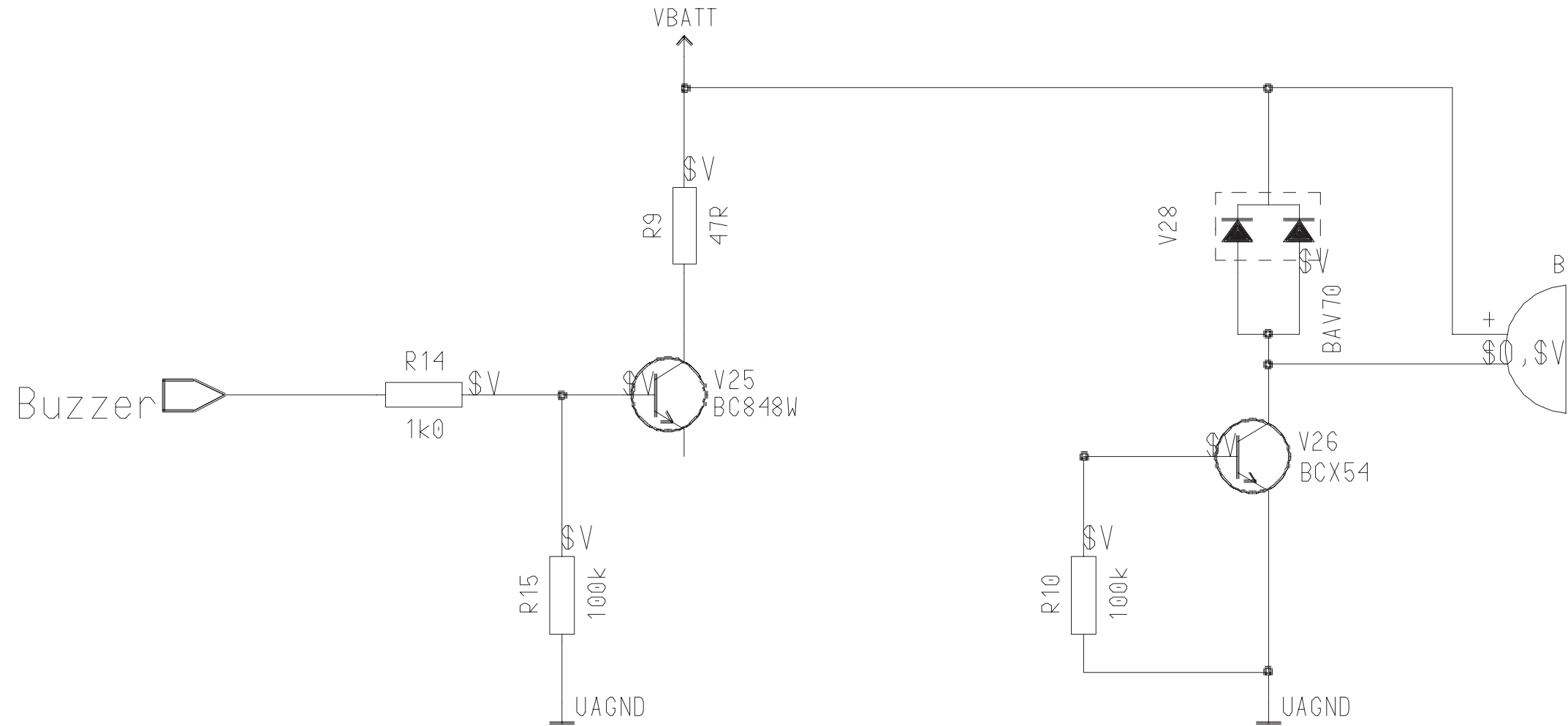
LCD (Versio 6 Edit 19)



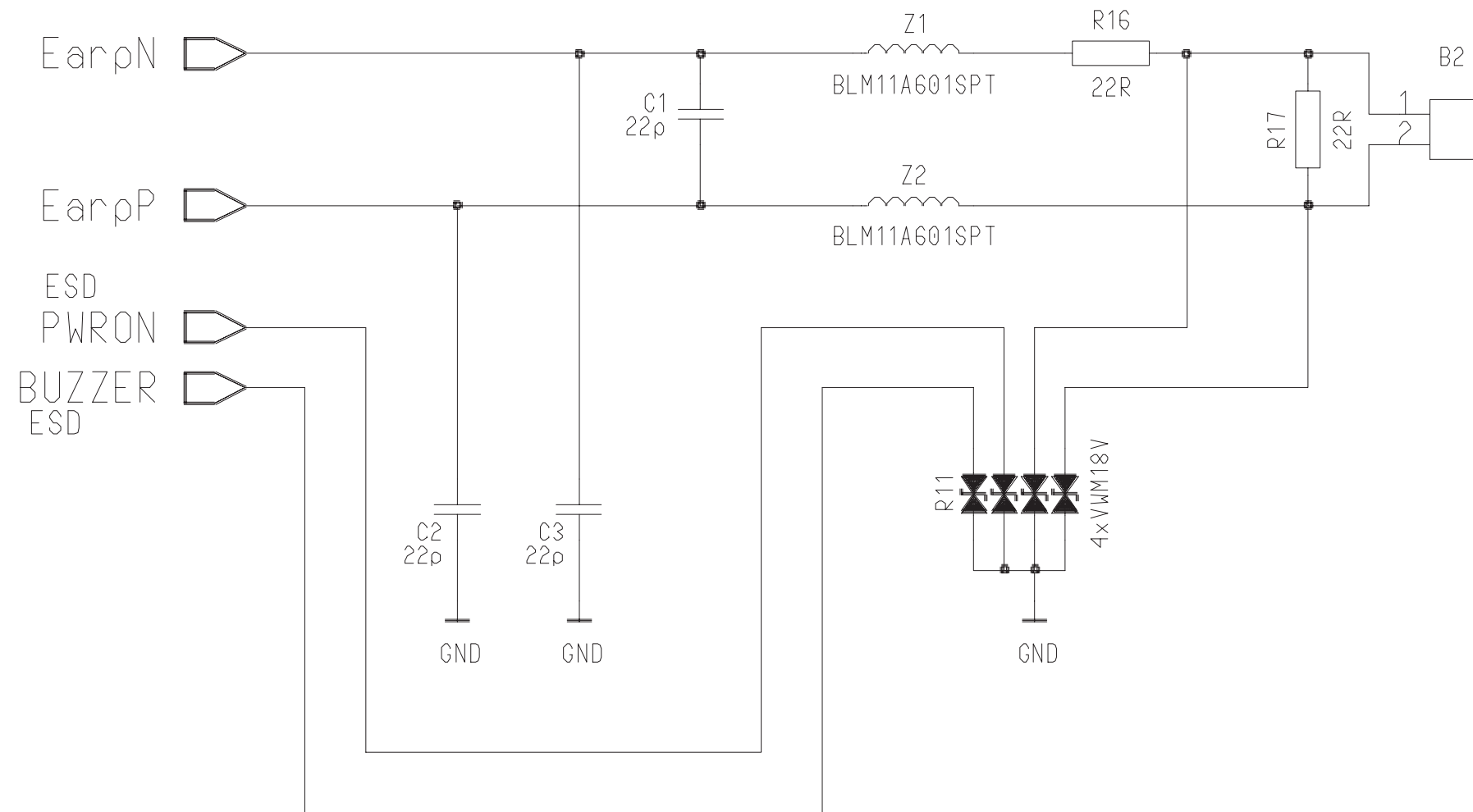


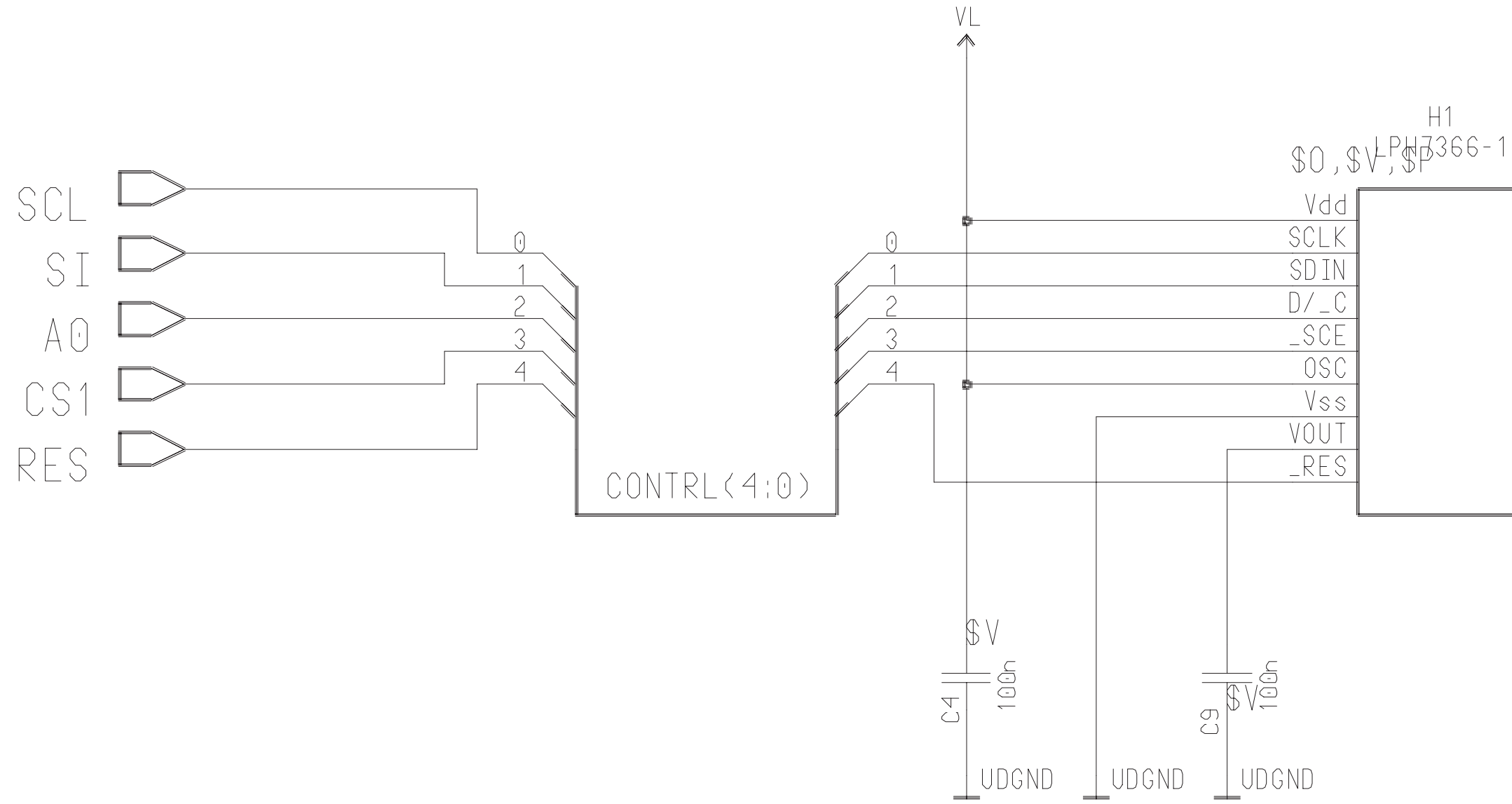


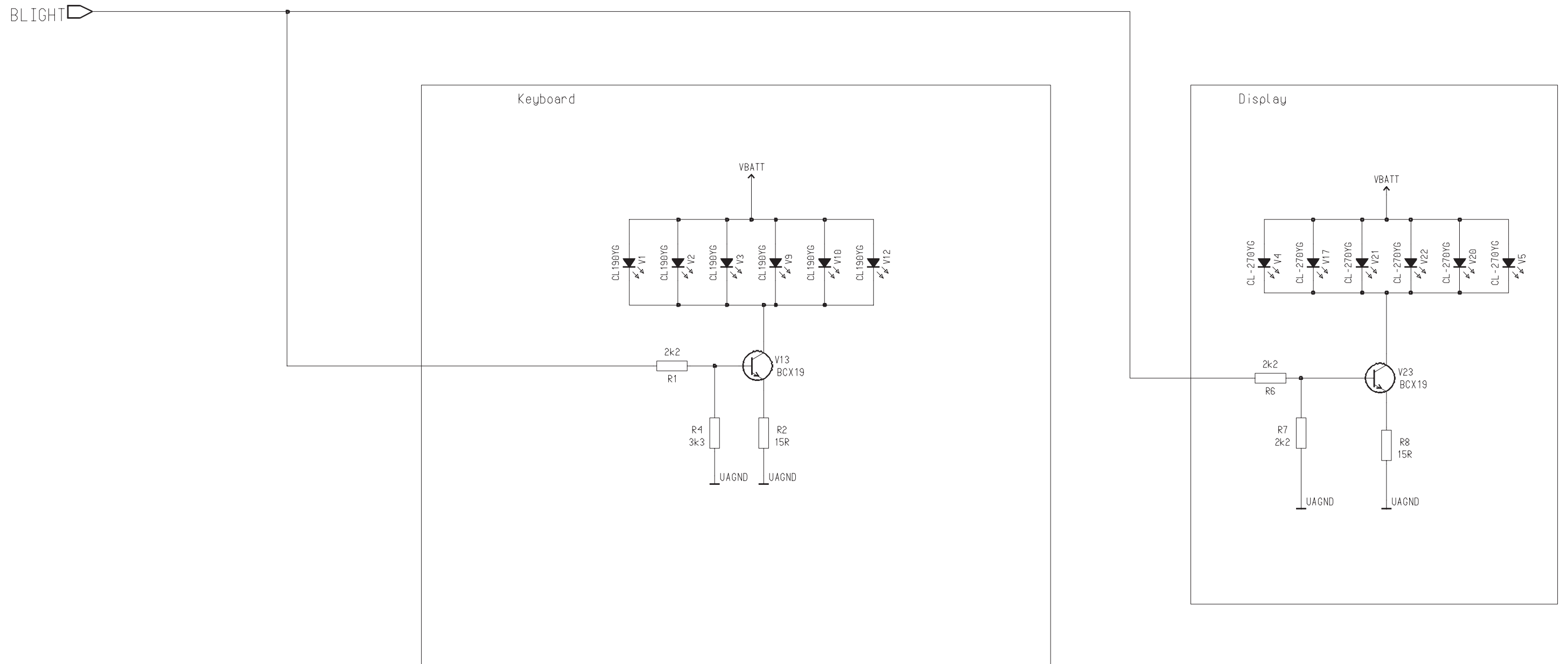
Circuit Diagram of Buzzer Module (version 9.0 edit 29) for layout versions 11 and 12

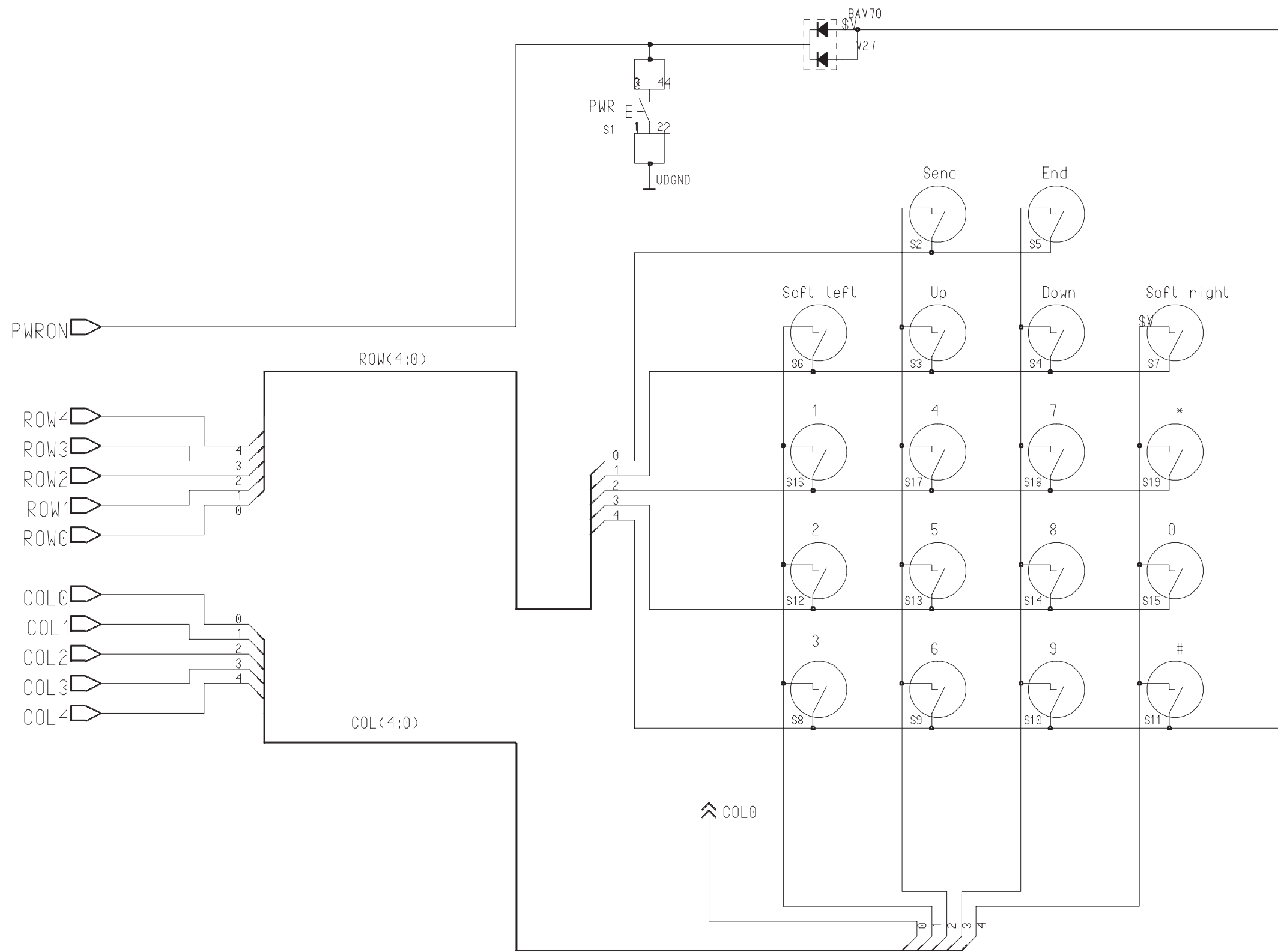


Circuit Diagram of Speaker Module (version 9.0 edit 29) for layout version 11 and 12

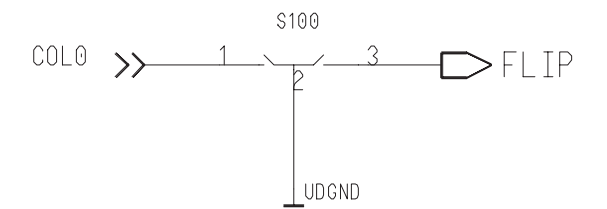




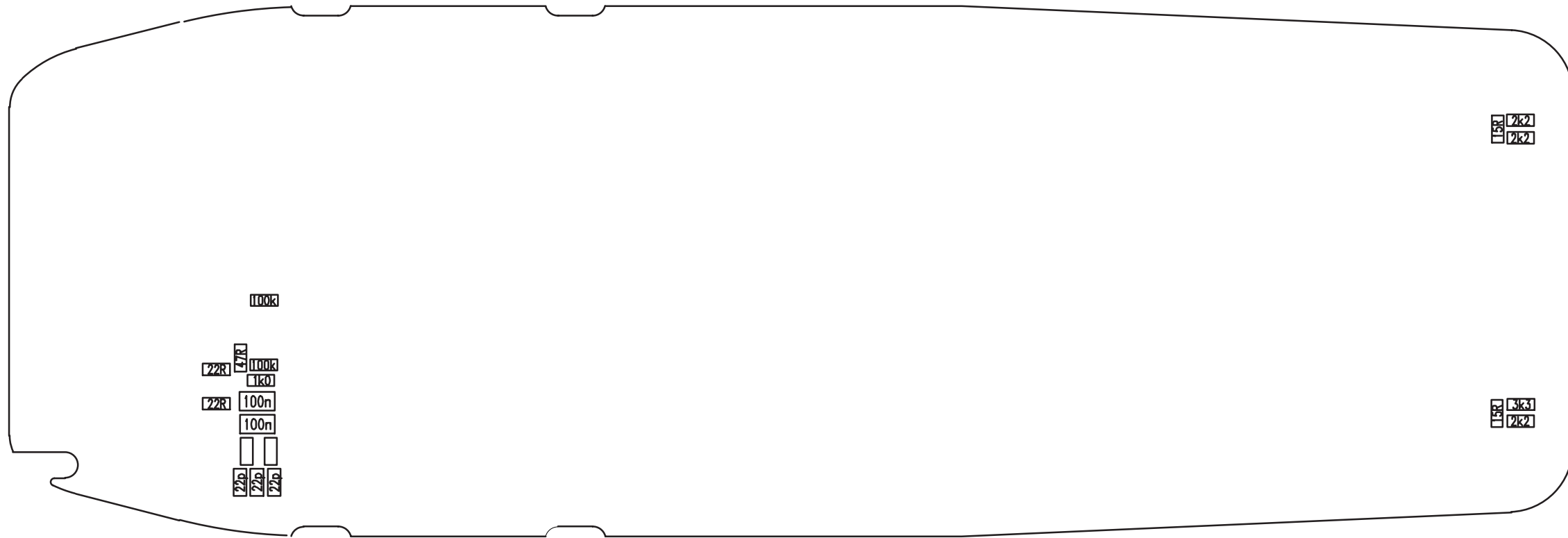
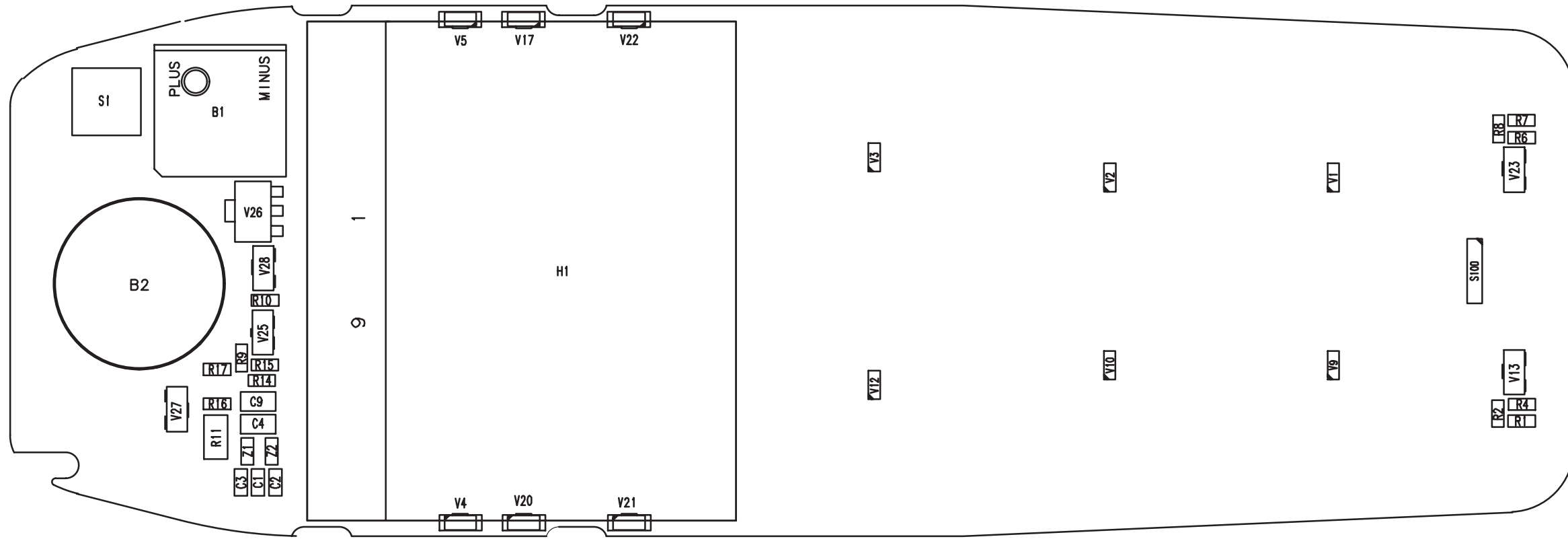


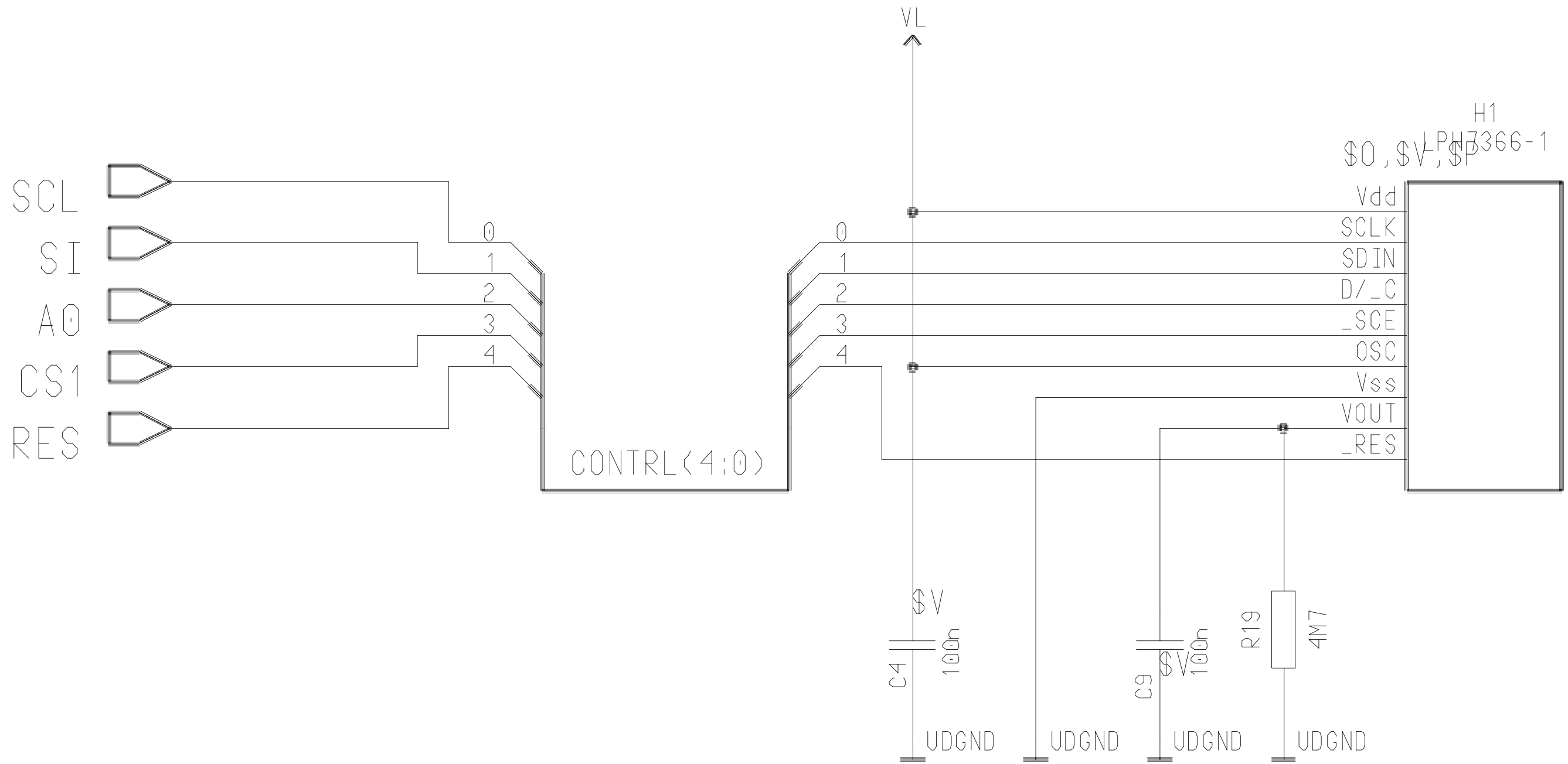


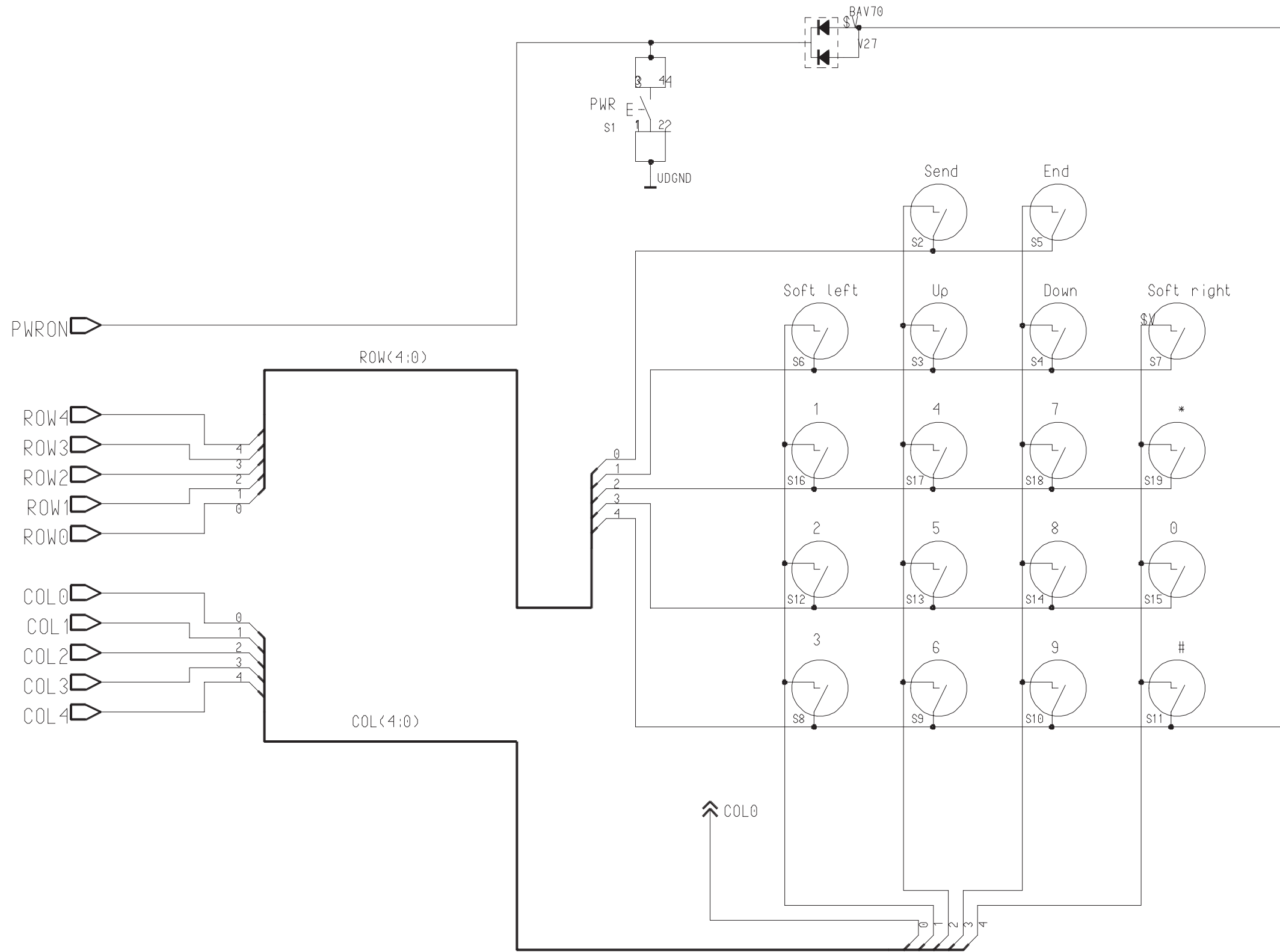
For Flip Design



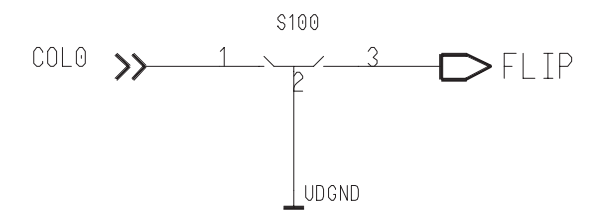
Layout Diagram of UE4 (Version 11)







For Flip Design



Layout Diagram of UE4 (Version 12)

